








Slido

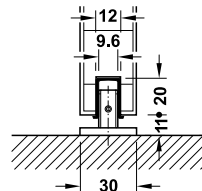
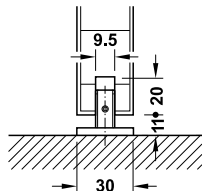
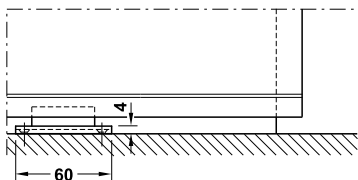
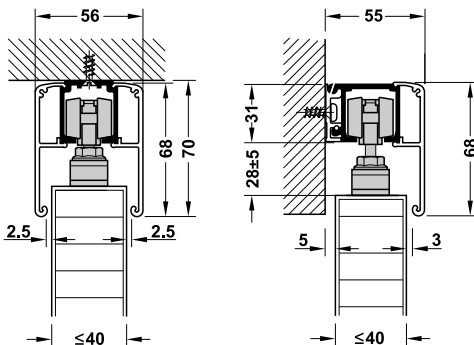
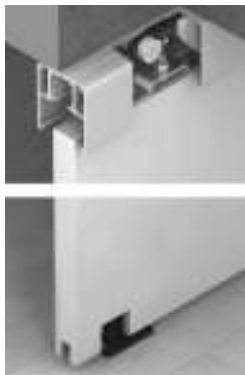
940.42.xxx 940.82.xxx
 940.43.xxx 941.02.xxx
 940.60.xxx 941.25.xxx

Classic	 A	 B	 C	 D	 E
40-P	940.42.113	940.43.115	940.43.116	940.43.117	940.43.118
60-P	940.60.113				
80-P	940.82.108	940.82.121	940.82.125	940.82.129	940.82.139
120-P	941.02.119	941.25.132			941.25.135

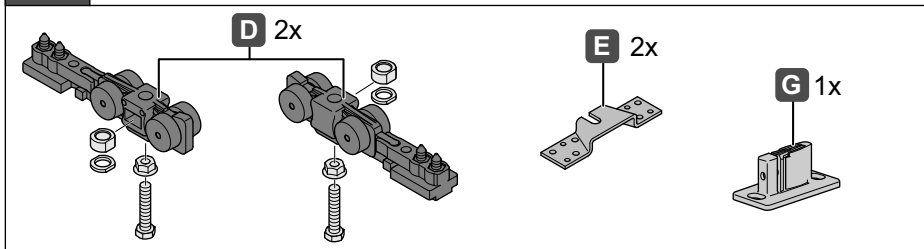
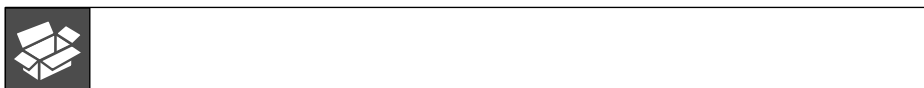
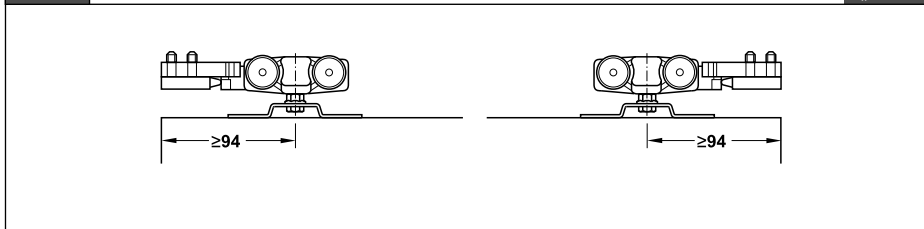
732.29.824

i

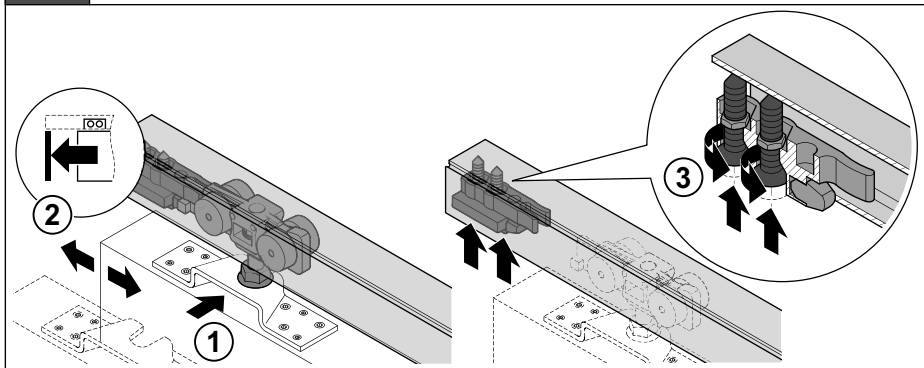
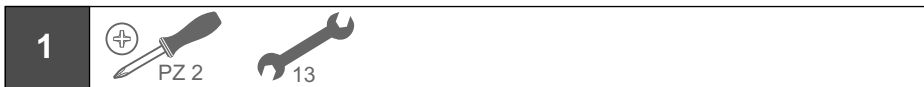
„mm“



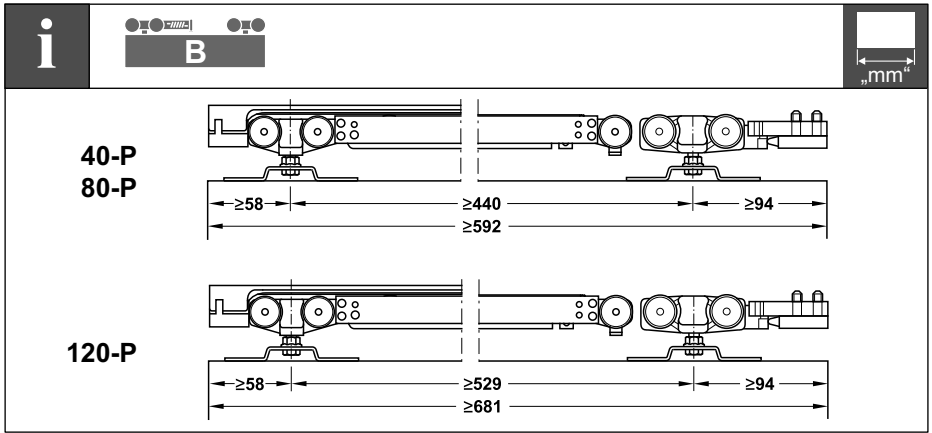
HDE 03/2014



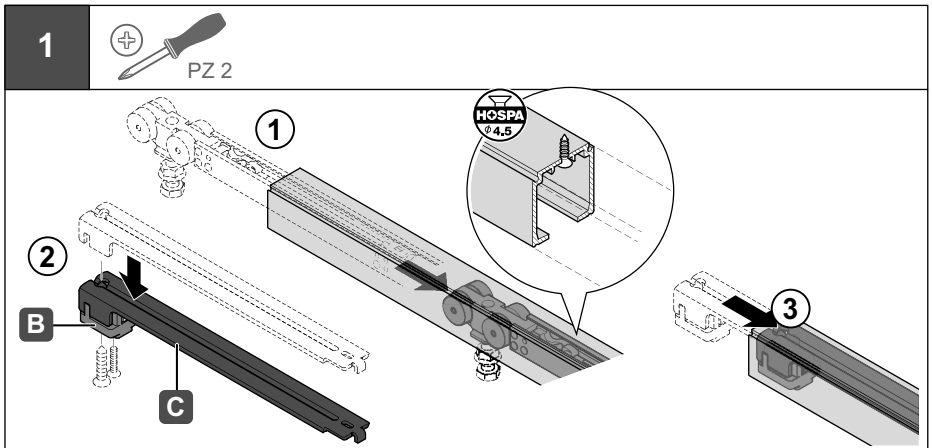
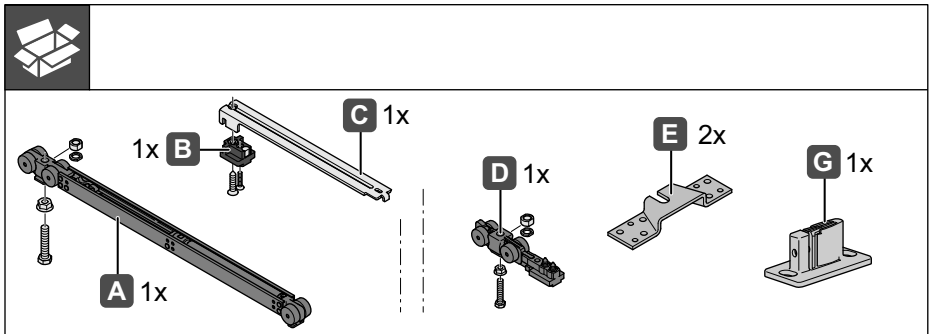
732.29.824



HDE 03/2014

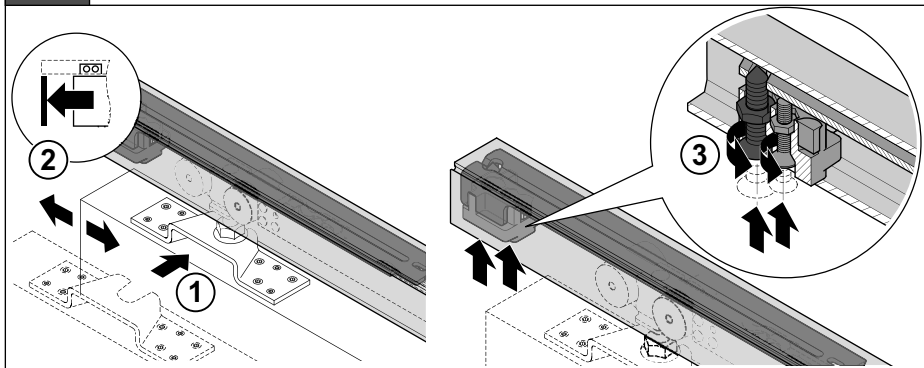


732.29.824



HDE 03/2014

2

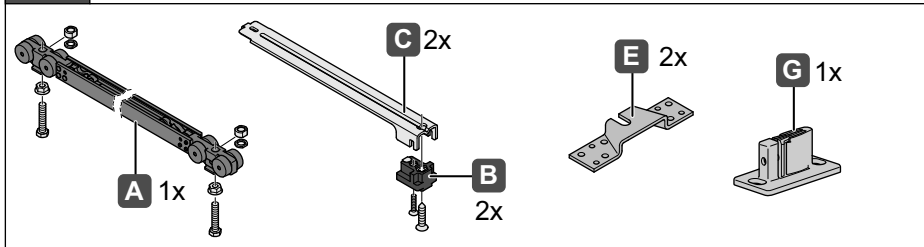
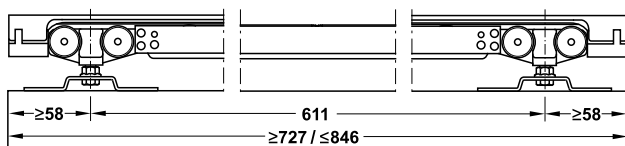


732.29.824

i

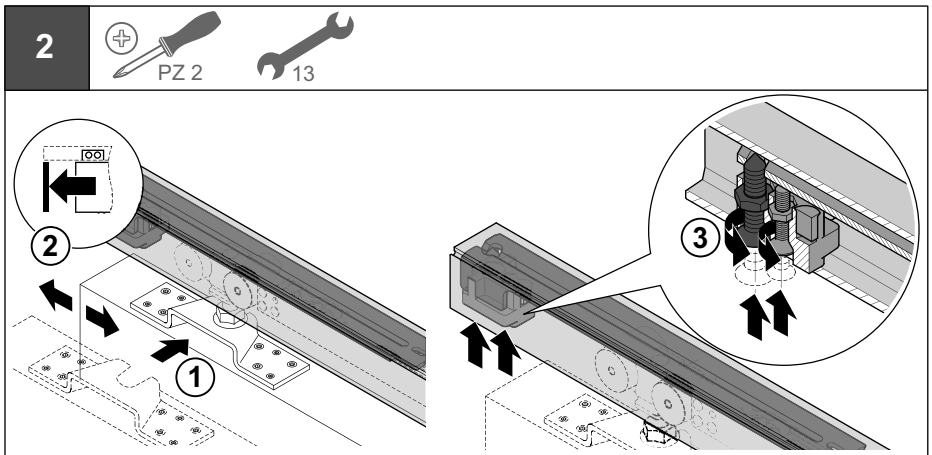
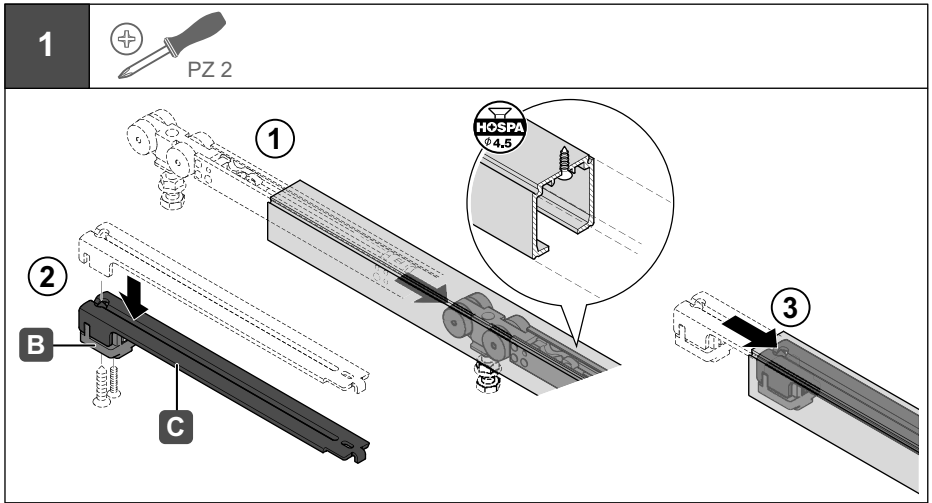


„mm“

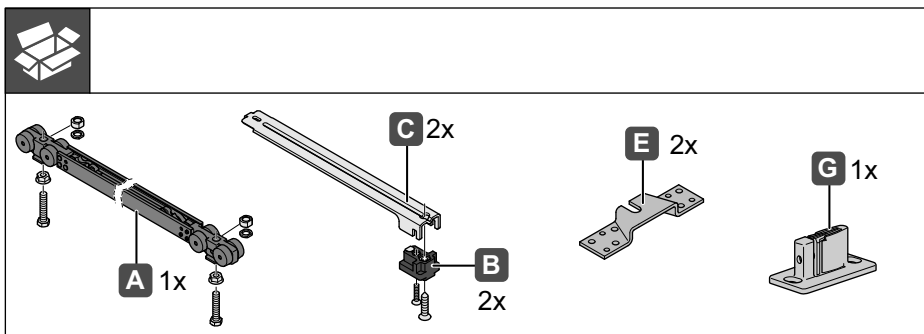
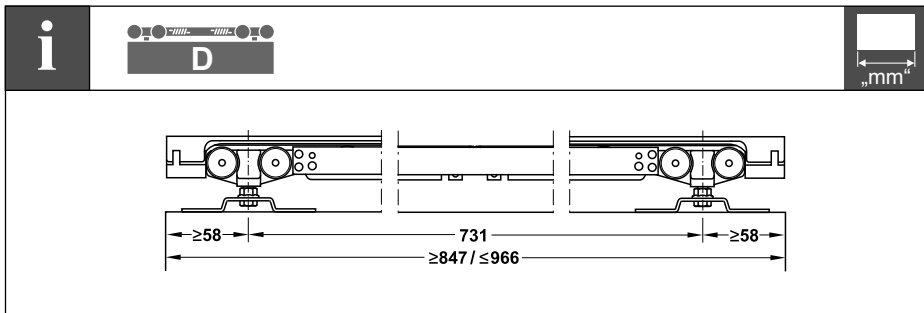


HDE 03/2014

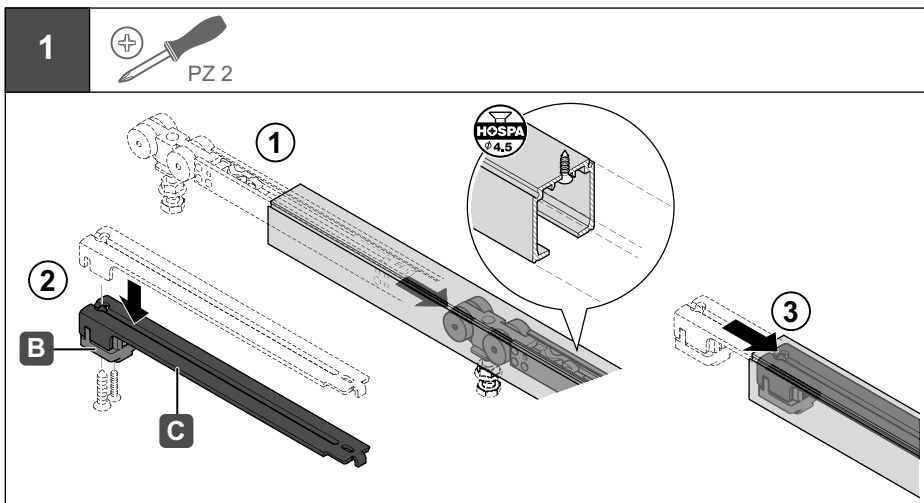
732.29.824



HDE 03/2014

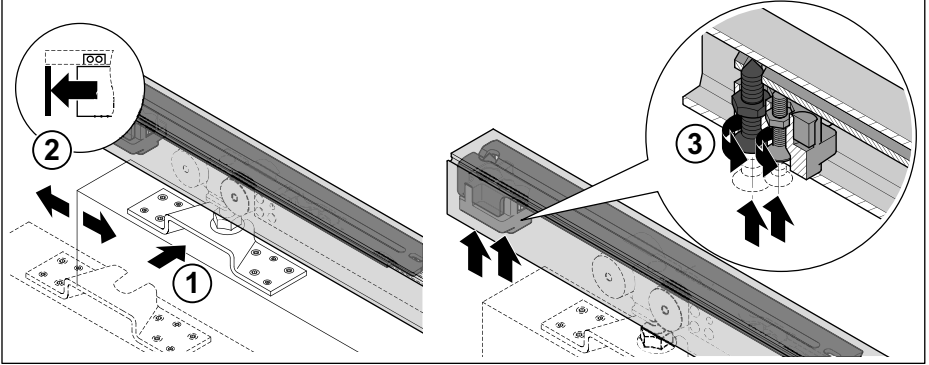


732.29.824



HDE 03/2014

2

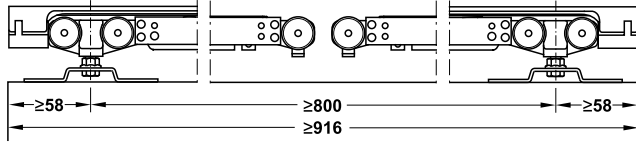


732.29.824

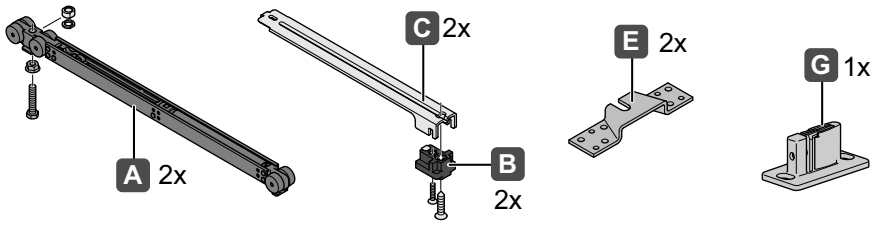
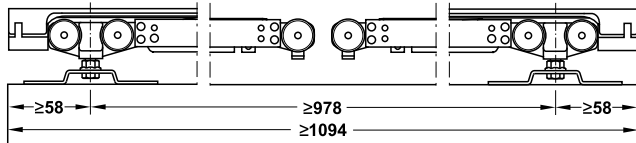
i



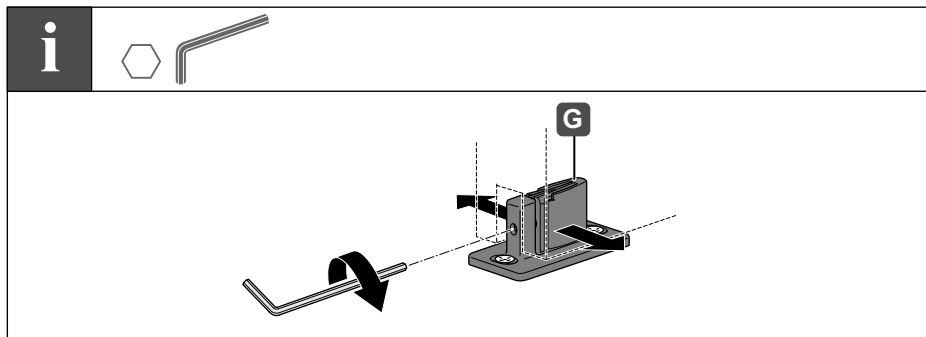
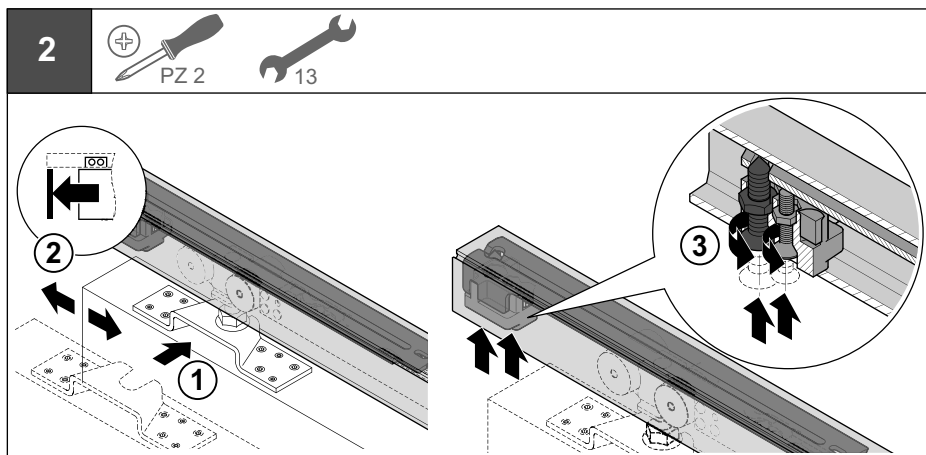
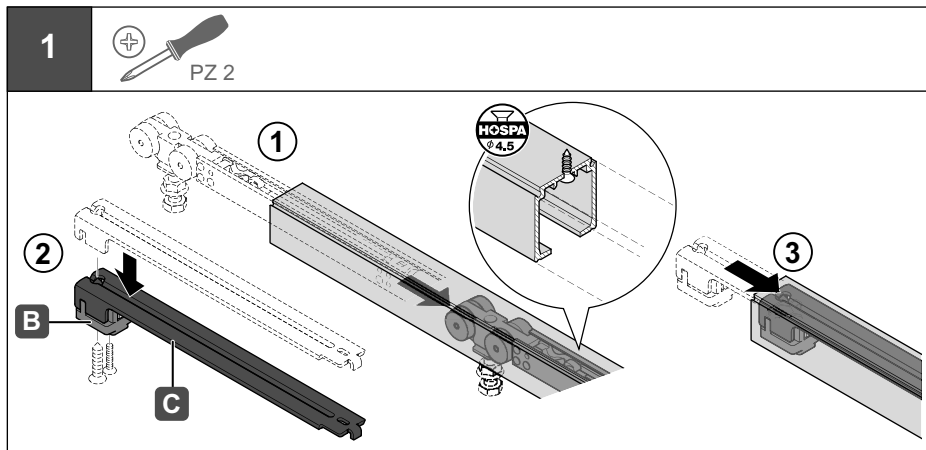
40-P
80-P



120-P



HDE 03/2014



732.29.824

HDE 03/2014